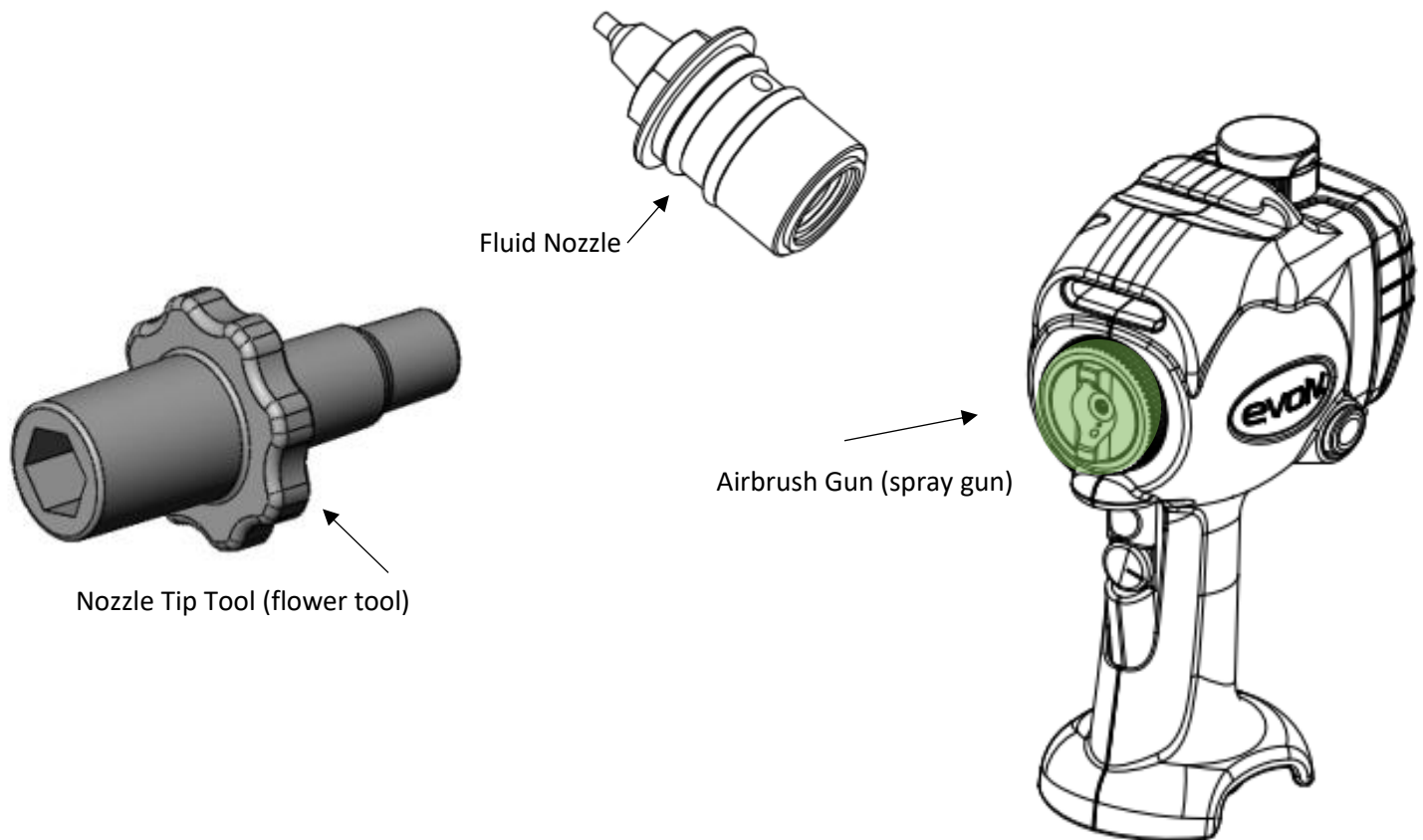


FLUID NOZZLE INSERT INSTRUCTION:

First remove the green collar from the spray gun located in the front. Once removing the collar, the black air cap should fall right off. Now the fluid nozzle should be visible. With the nozzle tip tool (flower tool) use the side that fits the head of the fluid nozzle and start unscrewing the fluid nozzle counterclockwise. After a few turns you should be able to pull it out for clean. **Be careful not to poke yourself with the needle tip once removing the fluid nozzle.**

When screwing back the fluid nozzle into the spray gun. First insert the fluid nozzle into the gun until it feels that it does not push in anymore. Then with the nozzle tip tool (flower tool) start by twisting it counterclockwise almost as if you were unscrewing it, but just twist it enough until you feel that the fluid nozzle sits down more. This way you will know that its adjusted to it position correctly. Once you feel that its sits in it position start screwing it in clockwise all the way until its nice and tight. (Not to tight just enough.)



Evolv Gun Purge Tool: Operation Instructions:

In the event that the spray gun becomes clogged, please refer to the following instructions on how to properly clean the system with the Evolv Gun Purge Tool.

1. Detach the formulation cartridge from the spray gun by pressing the green release button.



2. Locate the provided purge tool. Fill the purge tool with warm water by pushing the syringe all the way in, place the tip in a cup of warm water, then pull the syringe all the way back to completely fill the tool.



3. Connect the purge tool to the lower fitting on the back of the spray gun; push straight in until it snaps in place.



4. Compress the trigger on the spray gun. Point the spray gun at a trash can, sink, backdrop, or somewhere that the liquid can go. While the trigger is pulled, compress the purge tool. Once the water in the purge tool is depleted, detach the purge tool from the spray gun by pushing the green release button and repeat the exercise if this step did not clear out the spray gun.



5. If necessary, remove the green air cap retainer, air cap and the fluid nozzle as described in your Owner's Manual and use the Nozzle Tool supplied with your unit. Thoroughly clean all three items with warm water and re-assemble. Also, be sure to clean the fittings located on the back of the spray gun and formulation cartridges.



5. Fill a formulation cartridge with warm water and attach it to the spray gun and verify the gun is now spraying properly. Once it is spraying properly the spray gun is now ready to be used again.

If after performing the following exercise the spray does not spray or provides a weak spray, please contact EVOLV technical support at (760) 891-0257 ext. 201