

EVOLV.

SIDEKICK™ EQUIPMENT MANUAL

KEEP YOUR CLIENTS.

TAKE THEIRS.

NEVER CONFORM.

ALWAYS

VERSION 1.0



CONTENTS

4

SAFETY INFORMATION

YOUR SAFETY AND THE SAFETY OF OTHERS ARE VERY IMPORTANT. PLEASE READ AND OBEY ALL SAFETY MESSAGES.

6

SIDEKICK COMPONENTS & SPECIFICATIONS

PORTABLE IS AN UNDERSTATEMENT. THE SIDEKICK WAS BUILT WITH THE PROFESSIONAL MOBILE TECHNICIAN IN MIND.

8

SIDEKICK FEATURES

SIDEKICK'S ONE-OF-A-KIND, INNOVATIVE FEATURES ARE MEANT TO ENHANCE BOTH YOU AND YOUR CUSTOMER'S EXPERIENCE.

11

SIDEKICK SETUP INSTRUCTIONS

A COMPLETE MOBILE BUSINESS IN A BOX. YOU WILL HAVE THE SIDEKICK SETUP IN A MATTER OF MINUTES.

15

SIDEKICK OPERATION

A COMPLETELY CUSTOMIZABLE EXPERIENCE AT YOUR FINGERTIPS, AND JUST A FEW STEPS AWAY.

20

PREPARING SOLUTIONS & ADDITIVES

INNOVATION IS NOT JUST IN THE EQUIPMENT, IT EXTENDS ALL THE WAY THROUGH TO THE SOLUTIONS AND ADDITIVES.

23

SIDEKICK STORAGE

SETUP AND BREAKDOWN YOUR SIDEKICK FOR COMPLETE MOBILITY AND EQUIPMENT PROTECTION.

26

SIDEKICK MAINTENANCE

YOU'VE PURCHASED THE BEST EQUIPMENT ON THE MARKET, NOW MAKE SURE TO PROTECT YOUR INVESTMENT.

34

TROUBLESHOOTING

SIDEKICK RUNS ITS OWN DIAGNOSTICS TO DETECT PROBLEMS FASTER AND TAKES THE GUESSWORK OUT OF FIXING THE ISSUE.

38

ELECTRICAL CONFIGURATIONS

U.S. AND INTERNATIONAL VOLTAGE
SETTING DIAGRAMS

39

SERIAL NUMBER LOCATION

REGISTER YOUR EQUIPMENT TO RECEIVE THE MOST OUT OF YOUR PURCHASE AND TO INITIATE YOUR 2 YEAR WARRANTY!

SAFETY INFORMATION

YOUR SAFETY AND THE SAFETY OF OTHERS ARE VERY IMPORTANT. PLEASE READ AND OBEY ALL SAFETY MESSAGES.

Your safety and the safety of others are very important. We have provided important safety information in this manual. Always read and obey all safety messages.

It is the responsibility of the owner and operator of the EVOLV. Sidekick to comply with all appropriate safety and health laws, as well as other applicable national, state and local laws and ordinances when operating and maintaining EVOLV. Equipment. EVOLV. products are to be operated only by those who have been professionally trained.



DANGER!!: To reduce the risk of burns, fire, electric shock, death or injury to persons, read the following important safety precautions and all instructions before operating/using the EVOLV. Sidekick. Interior components of the spray gun or base unit are not to be disassembled except by trained and qualified personnel.

Read all safety information provided before use of the EVOLV. Sidekick.

1. Carefully read this manual and follow all instructions given hereof.
2. Heed all warnings laid out in this manual, as well as, all warnings located on the unit.
3. Do not modify the Sidekick plug. Always plug the power cord into a properly configured grounded outlet only.
4. If the provided plug does not fit into your outlet, consult an electrician for replacement of the outlet.
5. Units are available in 115 Volt, 10 AMP and 230 Volt, 5 AMP configurations. Never use a 115 Volt spray gun with a 230 Volt base unit and vice versa.
6. Never disconnect the plug by pulling on the cord. To disconnect from the outlet, grasp the plug not the cord.
7. Close supervision is necessary when this product is used by, on, or near children or invalids.
8. Do not immerse EVOLV. equipment in liquids. Do not operate the spray gun if it is wet or leaking.
9. Use this product only as intended per the instructions in this manual. Refrain from use of attachments or solutions not recommended by Sunless, Inc.
10. It is recommended that the EVOLV. Sidekick be used on a dedicated 110V/15AMP or 230V/8AMP circuit; that is, a single outlet circuit which powers only the Sidekick and has no additional outlets or branch circuits. Do not overload wall outlets. Overloaded wall outlets, loose or damaged wall outlets, extension cords, frayed power cords, or damaged or cracked wire insulation are dangerous. Any of these conditions could result in electric shock or fire. Periodically examine the cord of the EVOLV. Sidekick, and if its appearance indicates damage or deterioration, unplug it, and discontinue use of the Sidekick. **Please contact EVOLV. Technical Support at (877) 668-8826** for an exact replacement. Protect the power cord from physical or mechanical abuse, such as being twisted, kinked, pinched, closed in a door, or walked upon. Pay particular attention to plugs, wall outlets, and the point where the cord exits the Sidekick.

SAFETY INFORMATION

YOUR SAFETY AND THE SAFETY OF OTHERS ARE VERY IMPORTANT. PLEASE READ AND OBEY ALL SAFETY MESSAGES.

- 11.** Keep cords away from heated surfaces.
- 12.** Do not allow water to accumulate on the floor around the EVOLV. Sidekick.
- 13.** Use only the flex hose supplied with this unit. Do not make a substitution for any reason. These hoses must be inspected periodically and replaced when necessary.
- 14.** Use a respirator, mask, or nose filter whenever there is a chance that vapors may be inhaled, especially with prolonged usage.
- 15.** Do not carry the EVOLV. Sidekick while spraying.
- 16.** Keep the EVOLV. Sidekick at least four feet from the spraying area at all times.
- 17.** Never operate the EVOLV. Sidekick while drowsy or impaired.
- 18.** Consult a physician before use if you are pregnant or think you may be pregnant, or if you have a diabetic condition.
- 19.** EVOLV. sunless formulations are not a sunscreen or a substitute for proper sun protection.
- 20.** Never handle the plug, cord, base unit, or spray gun with wet hands.
- 21.** The spray gun may become hot after spraying, especially the front of the spray gun. Allow the unit to cool before touching. The spray gun must be positioned no closer than 6 inches from the skin.
- 22.** When the Sidekick is not in use, please be sure to disconnect and unplug the unit. Disconnect the spray gun from the hose and place it into the storage compartment.
- 23.** To reduce the risk of fire or electric shock, do not expose this unit to rain or moisture.
- 24.** Do not spray directly at or into the EVOLV. Sidekick.
- 25.** Do not allow the EVOLV. Sidekick to run unattended.
- 26.** Your unit is equipped with a Residual Current Breaker with Overload, RCBO. RCBO's are designed to disconnect the electrical circuit quickly in case of a ground fault or electrical overload. The RCBO must be tested monthly to ensure its effectiveness.
(See "Testing & Resetting the RCBO" on pg. 29)

SIDEKICK COMPONENTS & SPECS

PORTABLE IS AN UNDERSTATEMENT. THE SIDEKICK WAS BUILT WITH THE PROFESSIONAL MOBILE TECHNICIAN IN MIND.

SIDEKICK COMPONENTS

SIDEKICK CONTROLLER

1) Air Speed Button

Controls the Air Speed Level

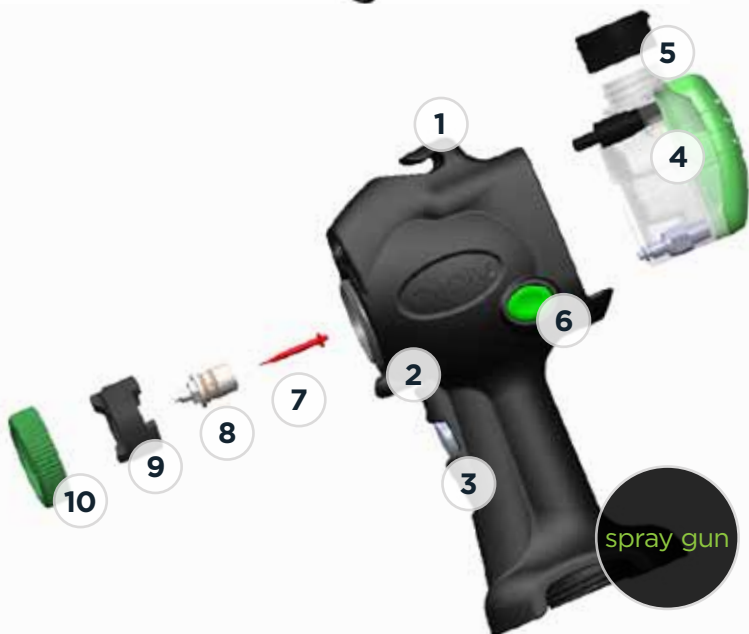
NOTE: When the Sidekick is turned on air blows constantly

2) Heat Level Button

Controls the Heat Intensity Level

3) Power Button

Controls the on and off cycle



SIDEKICK COMPONENTS & SPECS

PORTABLE IS AN UNDERSTATEMENT. THE SIDEKICK WAS BUILT WITH THE PROFESSIONAL MOBILE TECHNICIAN IN MIND.

SIDEKICK BASE

1) Control Center

Contains Air Speed, Heat Level, and Power Buttons

2) Storage Compartment

Allows for storage of: 2 Formulation Bottles, 2 Additives, 1 Nozzle Tip Tool, 1 Spray Gun, 2 Spare Cartridges

3) Extension Handle and Spray Gun Dock

3 Stage Telescoping Handle, with Spray Gun Dock

4) Power Cord

Contained in a retractable cord reel inside of the base

5) Hose Connector

Connects the flex hose to the spray gun

NOTE: Always verify electrical configuration match (refer to pg. 38)

6) Hose End Lock

Locks the hose to the base

NOTE: An indent in the hose wrap plate allows for the hose connector to lock into place

7) Hose Wrap Plate

8) Flex Hose

SIDEKICK SPRAY GUN

1) Spray Gun Hook

Used to hang the Spray Gun on the Spray Gun Dock

2) Trigger

Activates solution flow

3) Formulation Intensity Adjustment Knob

Adjusts the amount of solution which sprays through the spray gun. See pg. 18 for settings

4) Formulation Cartridge

100 mL of solution capacity

5) Formulation Cartridge Cap

Flip top open and close, with easy filling

6) Cartridge Release Button

Releases Formulation Cartridge from Spray Gun

7) Needle Tip

8) Fluid Nozzle

9) Air Cap

Used to alter spray pattern

10) Air Cap Retainer

SIDEKICK SPECIFICATIONS

ELECTRICAL

115 Volt- 10 Amp
(230 Volt - 5 Amp)

WEIGHT

26 LBS.
(18.8 KG)



SIDEKICK FEATURES

“SIDEKICK’S ONE-OF-A-KIND, INNOVATIVE FEATURES ARE MEANT TO ENHANCE BOTH YOU AND YOUR CUSTOMER’S EXPERIENCE.”

SIDEKICK FEATURES

SIDEKICK'S ONE-OF-A-KIND, INNOVATIVE FEATURES ARE MEANT TO ENHANCE BOTH YOU AND YOUR CUSTOMER'S EXPERIENCE.

FEATURE DESCRIPTIONS



HEAT-INFUSED APPLICATION

HEAT IS LITERALLY INFUSED ONTO THE BODY AND INTO THE SOLUTION WITH OUR PATENT-PENDING 2 STAGE PROCESS.



STAGE 1

Warms and prepares the skin for ultimate comfort and maximum absorption ensuring a completely dry application every time.



STAGE 2

A gently warmed spray nozzle infuses heat directly into our formulas literally creating a heat-infused application every time.



COMFORT-CONTROL CENTER

MAXIMIZE COMFORT AND ADJUST FOR THE PERFECT APPLICATION.

Using the Sidekick's™ state-of-the-art, LED-enhanced Control Center, you can control air speed ensuring (VLO) very low over spray, and heat levels ensuring a custom comfort level for everyone.



PERFECT-CONTROL SPRAY PATTERN

SPRAY PATTERN IS ALWAYS IN YOUR CONTROL FOR THE PERFECT APPLICATION EVERY TIME.

With an easy-to-access adjustable spray nozzle, and trigger controlled volume adjustment, you can deliver both wide spread diffusion and pinpoint accuracy from any angle, creating a custom contoured application every time.



QUICK-CHANGE CARTRIDGE SYSTEM

CHANGE OUT CARTRIDGES WITH A SINGLE CLICK.

Encased inside the Sidekick's spray gun is a cutting edge, easy-to-maintain Cartridge Formula System. With an easy-to-fill, mess-free, flip top reservoir, loading solution has never been easier.

SIDEKICK FEATURES

SIDEKICK'S ONE-OF-A-KIND, INNOVATIVE FEATURES ARE MEANT TO ENHANCE BOTH YOU AND YOUR CUSTOMER'S EXPERIENCE.



STORAGE MANAGEMENT SYSTEM

SLEEK, FUNCTIONAL AND UNCOMPROMISING.

The Sidekick's distinct shell is both sleek and functional. Encased inside the ultra-modern design is enough space to store your Sunless formulations and additives, as well as the Sidekick's spray gun, and 2 extra cartridges.



POWERFULLY QUIET ENGINE

ENGINEERED FOR AN UNBELIEVABLY QUIET APPLICATION.

Among Sidekick's most advanced features is a powerful, yet subtle engine which allows for a conveniently quiet application from start to finish. Now your clients can enjoy a relaxing airbrush tanning experience without being distracted.



DURABLE SUPERFLEX HOSE AND RETRACTABLE CORD

UNMATCHED STRENGTH, FLEXIBILITY, AND MOBILITY.

The Sidekick's durable superflex hose is specially designed to be super lightweight without sacrificing strength and flexibility. This lightweight, flexible hose allows for optimum weight balance, and minimizes fatigue during applications. Durable flexibility also allows for easy, wrap-and-go mobility, without harmful wear and tear. Plus with an added retractable cord, becoming mobile has never been easier.



ALL-TERRAIN WHEELS

OVERSIZED, SOFT AND EASY-TO-ROLL.

The Sidekick's all terrain wheels are soft, oversized and built with precision bearings. Leap small curbs in a single bound, and maneuver the Sidekick around with quiet, smooth mobility.



TELESCOPING MULTI-PURPOSE HANDLE

FULLY-EXTENDING HANDLE, WITH EASY-ACCESS SPRAY GUN DOCK.

With a 3 stage fully extending, retractable handle and easy-access spray gun dock, the Sidekick is setting the new standard for portability and ease-of-use. Use the spray gun dock in between sessions for quick-draw applications.

SIDEKICK SETUP INSTRUCTIONS

“ A COMPLETE MOBILE BUSINESS IN A BOX.
YOU WILL HAVE THE SIDEKICK SETUP IN
A MATTER OF MINUTES. ”

SIDEKICK SETUP

A COMPLETE MOBILE BUSINESS IN A BOX. YOU WILL HAVE THE SIDEKICK SETUP IN A MATTER OF MINUTES.

Lift the door latch to release the storage compartment and pull the storage compartment towards you



Uncoil flex hose counter clockwise from the hose wrap plate at the back of your unit



1. Carefully remove all components from the packaging. Inspect parts and immediately report any shipping damage.
2. Lift the door latch and open the Sidekick storage compartment by pulling the door towards you.
3. Carefully remove your spray gun.
4. Uncoil your flex hose counter clockwise from the hose wrap plate at the back of your unit. You will need to first pull down on the hose connector, in order to release it from the hose end lock.
5. Attach your spray gun to your flex hose. Line up the notches on the hose and spray gun connectors. Push the hose connector into the spray gun connector and tighten the hose-locking ring.

NOTE: Verify that hose connector and spray gun connector match your appropriate electrical configuration. Turn the hose-locking ring counter clockwise to tighten. See pg. 38 for configuration diagrams



After lining up the notches push the hose connector into the spray gun. Turn the hose-locking ring counter clockwise until it is tight



SIDEKICK SETUP

A COMPLETE MOBILE BUSINESS IN A BOX. YOU WILL HAVE THE SIDEKICK SETUP IN A MATTER OF MINUTES.



6. Extend the Sidekick handle. Push the button on top of the handle to extend or retract it through its three locking stages.
7. Locate the spray gun dock. This is at the top of your handle.
8. Attach your spray gun to the spray gun dock by lining up the hook on the top of the spray gun with the spray gun dock.
9. The Sidekick is equipped with a retractable power cord reel. Pull the power cord gently out of the unit until it clicks and holds in place. To retract the power cord, pull the power cord slightly towards you and then allow the cord to retract back into the unit.
10. Plug your EVOLV. Sidekick unit into a properly grounded electrical outlet. Make sure that the configuration of the electric outlet you are connecting to is the same as the plug on your unit.

Do not attempt to connect the unit to the wrong electric outlet configuration as this can damage your unit and void your warranty.

SIDEKICK SETUP

A COMPLETE MOBILE BUSINESS IN A BOX. YOU WILL HAVE THE SIDEKICK SETUP IN A MATTER OF MINUTES.



Power up your Sidekick by pressing the power button once

Once your unit is on you will see the first white light illuminate

11. After plugging in your Sidekick, the Control Center will flash through a series of red, green and white lights. When the unit is ready, two green lights will flash on either side of the control center.

12. Power up your Sidekick by pressing the power button (=) once. The power button is located on the control center. Press the power button again to turn off the unit. If the heat option has been used, upon turning the unit off, you will notice the air continues to blow for a three second cool down cycle.

NOTE: Three second cool down cycle only occurs if one of the 3 heat settings were used while the unit was on.

13. Once your unit is on you will see the first white light illuminate, this light indicates a low air speed setting. When the unit is powered on, the air turbine will be running at all times.

14. Please see pg. 16-19 for further instructions on how to set the air speed, heat level, formulation intensity, and spray pattern.

SIDEKICK OPERATION

“ A COMPLETELY CUSTOMIZABLE EXPERIENCE
AT YOUR FINGERTIPS, AND JUST
A FEW STEPS AWAY. ”

SIDEKICK OPERATION

A COMPLETELY CUSTOMIZABLE EXPERIENCE AT YOUR FINGERTIPS, AND JUST A FEW STEPS AWAY.

CUSTOMIZING YOUR TANNING EXPERIENCE

The EVOLV Sidekick features four unique adjustment options to customize the tanning experience. It is equipped with adjustable air speed, heat intensity, formulation intensity, and spray pattern.

AIR SPEED SETTINGS

There are three separate air speed settings available on your unit; low, medium and high. We recommend the medium air setting for most applications. By simply pushing the air speed button on the control center, you can cycle through these settings.

NOTE: If the Sidekick is turned off, but not unplugged, the Sidekick will automatically remember the user's previous air and heat settings.



1 WHITE LIGHT

This represents low air speed. This setting will provide the user with the lowest velocity spray. This application is generally used for contouring, when using the pinpoint accuracy spray pattern. Upon turning your unit on, initially or after unplugging, the air speed will automatically be set on low air speed.



2 WHITE LIGHTS

This represents medium air speed. This setting is recommended for most tanning applications, when using the wide spread diffusion spray pattern. Medium air speed can be attained by pressing the air speed button once.



3 WHITE LIGHTS

This represents high air speed. This setting will provide the user with the widest spray pattern width. High air speed can be attained by pressing the air speed button twice.

SIDEKICK OPERATION

A COMPLETELY CUSTOMIZABLE EXPERIENCE AT YOUR FINGERTIPS, AND JUST A FEW STEPS AWAY.

HEAT LEVEL SETTINGS

There are four separate heat level settings on your unit; off, low, medium and high. By simply pressing the heat level button on the control center, you can cycle through these settings. The appropriate heat level should be customized for each individual user and customer.

NOTE: If the Sidekick is turned off, but not unplugged, the Sidekick will automatically remember the user's previous air and heat settings.



NO RED LIGHTS

This represents that no heat option has been selected. A low level of warm air will still blow from the spray gun since the air turbine is also designed to produce heat.



1 RED LIGHT

This represents low heat intensity. This setting can be attained by pressing the heat level button once.



2 RED LIGHTS

This represents medium heat intensity. This setting can be attained by pressing the heat level button twice.



3 RED LIGHTS

This represents high heat intensity. This setting can be attained by pressing the heat level button three times. Please be aware that if the unit is on low air speed (one white light), the high heat intensity (three red lights) option will not be available.

NOTE: When the heat setting is on high heat intensity (three red lights) pushing the heat level button again will change the heat level back to medium heat intensity. If it is pushed one more time, the unit will be at low heat intensity.

SIDEKICK OPERATION

A COMPLETELY CUSTOMIZABLE EXPERIENCE AT YOUR FINGERTIPS, AND JUST A FEW STEPS AWAY.

FORMULATION INTENSITY KNOB SETTINGS

The formulation intensity adjustment knob controls the amount of solution that is sprayed when the trigger is pulled. The recommended intensity knob setting is 1 full turn from the closed position, for the optimal amount of formulation. Inexperienced users should turn the knob between 3/4 and 1 full turn. More experienced users may find that a 1 to 1-1/4 turn is ideal. If the intensity knob is in the closed position, formulation will not spray out of the nozzle when the trigger is pulled. Please be aware that the intensity adjustment knob is preset to the optimized setting. There is no need to adjust this knob initially. As you become more accustomed to spraying with the EVOLV. Sidekick, you can increase or decrease the solution flow by simply turning the formulation intensity knob to the desired position. To increase solution flow turn the knob counter-clockwise. To decrease solution flow turn the knob clockwise, towards the closed position. In general, adjust the air speed and formulation intensity knob to dispense 50 mL per session on the average sized person.

CLOSED POSITION

When the formulation intensity knob is in the closed position, solution will not spray out of the nozzle when the trigger is pulled. To locate the closed position, turn the intensity knob clockwise until it stops

SUGGESTED FORMULATION INTENSITY KNOB RANGE

IDEAL SETTINGS FOR INEXPERIENCED USERS
Turn the formulation intensity knob 3/4 to 1 full counter-clockwise turn from the closed position

IDEAL SETTINGS FOR ADVANCED USERS
Turn the formulation intensity knob 1 to 1-1/4 full counter-clockwise turn from the closed position



SIDEKICK OPERATION

A COMPLETELY CUSTOMIZABLE EXPERIENCE AT YOUR FINGERTIPS, AND JUST A FEW STEPS AWAY.

SPRAY PATTERN SETTINGS

Every EVOLV. spray gun comes equipped with two spray pattern options, wide spread diffusion and pinpoint accuracy. The spray pattern can be adjusted by simply turning the air cap. The air cap may be warm if your unit is on. Please turn off your Sidekick before changing spray patterns. A wide spread diffusion spray pattern can be attained by turning the knobs on the air cap so that they are vertical.

A pinpoint accuracy spray pattern can be attained by turning the knobs on the air cap slightly counter-clockwise. The knobs should be located at 11 and 5 o'clock. Pinpoint accuracy is generally used for contouring applications.

**PIN POINT ACCURACY
SPRAY PATTERN**



**WIDE SPREAD DIFFUSION
SPRAY PATTERN**



NOTE:

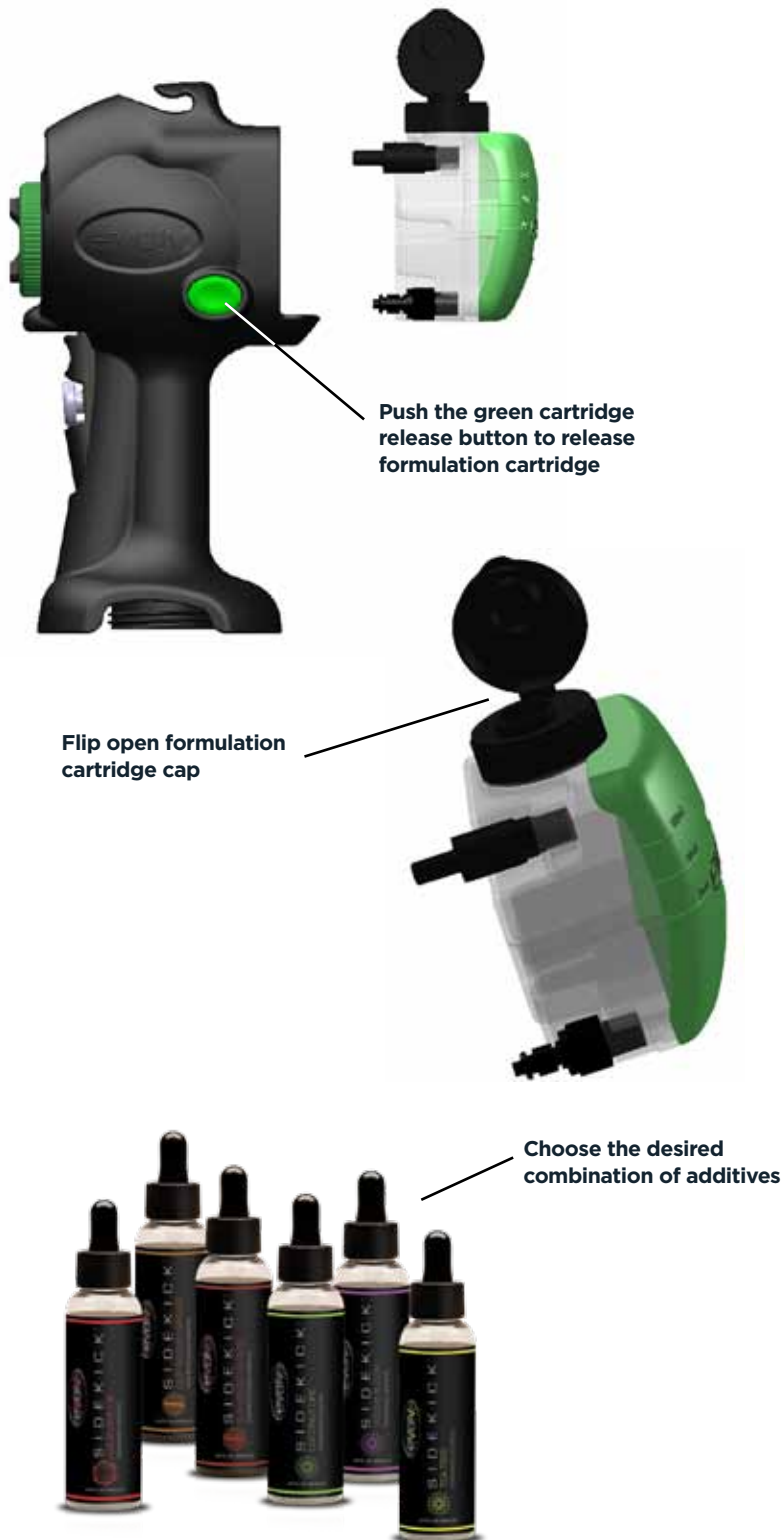
For basic airbrush tanning and drying with heat techniques, see provided Quick-Start Training Guide.

PREPARING SOLUTIONS & COMPLEMENTING ADDITIVES

“ INNOVATION IS NOT JUST IN THE EQUIPMENT,
IT EXTENDS ALL THE WAY THROUGH TO THE
SOLUTIONS AND ADDITIVES. ”

SOLUTIONS & ADDITIVES

INNOVATION IS NOT JUST IN THE EQUIPMENT, IT EXTENDS ALL THE WAY THROUGH TO THE SOLUTIONS AND ADDITIVES.

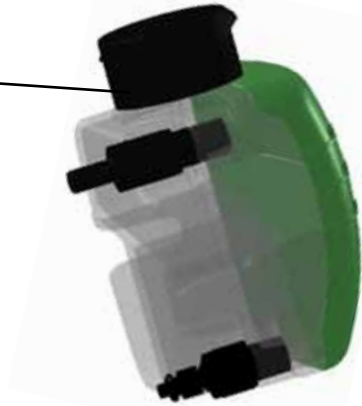


1. Adding solution can be accomplished while the cartridge is either removed or attached to the spray gun by simply flipping open the cartridge cap. Before removing the formulation cartridge, flip open the cartridge cap to relieve the pressure in the cartridge. Removal of the cartridge can be completed by pushing the green cartridge release button and pulling the cartridge straight back.
2. Begin by shaking your desired solution bottle to make sure it is mixed well. Verify that the safety seal of the solution bottle is removed. Simply turn the black cap counter-clockwise, remove the cap, if a safety seal is present please discard it and reattach the black cap. Next, flip open the spout on the solution bottle cap and begin pouring the desired EVOLV. Sunless formulation through the EZ fill spout and into the cartridge. Please keep in mind that 50 mL is enough for 1 tan and 100 mL is sufficient for 2 tans.
3. Choose the desired color, accelerator, and fragrance additives.
4. Use the eyedropper inside of your additive bottle. Add 1 full dropper into the formulation cartridge at a time. Please keep in mind that 1 full dropper is enough for 50 mL.

SOLUTIONS & ADDITIVES

INNOVATION IS NOT JUST IN THE EQUIPMENT, IT EXTENDS ALL THE WAY THROUGH TO THE SOLUTIONS AND ADDITIVES.

Snap cap back into place and make sure it is closed securely. Gently shake cartridge 4-6 times to ensure proper mixing



Reattach the formulation cartridge by lining up the two black fittings on the back of the spray gun. Push cartridge straight into the gun until it clicks

First spray should be used on blotting paper/towel to ensure proper mixing, spray pattern, and spray intensity



5. Please reseal the cap by closing the flip top. Please ensure the cap is closed securely. If the cap is not closed properly, the spray gun will not spray formulation.
6. Once the formulation and additives are added, the cap is tightened, and the flip top is closed, gently shake the formulation cartridge 4 to 6 times. This ensures that the additives have properly mixed with the EVOLV. Sunless formulation. If the formulation cartridge is still attached to the spray gun, shake the spray gun gently in a swirling motion to thoroughly mix the formulation.
7. Reattach the formulation cartridge by lining up the two black fittings on the formulation cartridge with the two open fittings on the back of the spray gun. Push the cartridge straight into the spray gun until it clicks.
8. Please make sure your initial spray is on blotting paper/towel rather than the customer. This ensures that every thing has mixed properly, the cartridge was successfully reattached, and your spray pattern is correct.

SIDEKICK STORAGE

“ SETUP AND BREAKDOWN YOUR SIDEKICK
FOR COMPLETE MOBILITY AND EQUIPMENT
PROTECTION. ”

SIDEKICK STORAGE

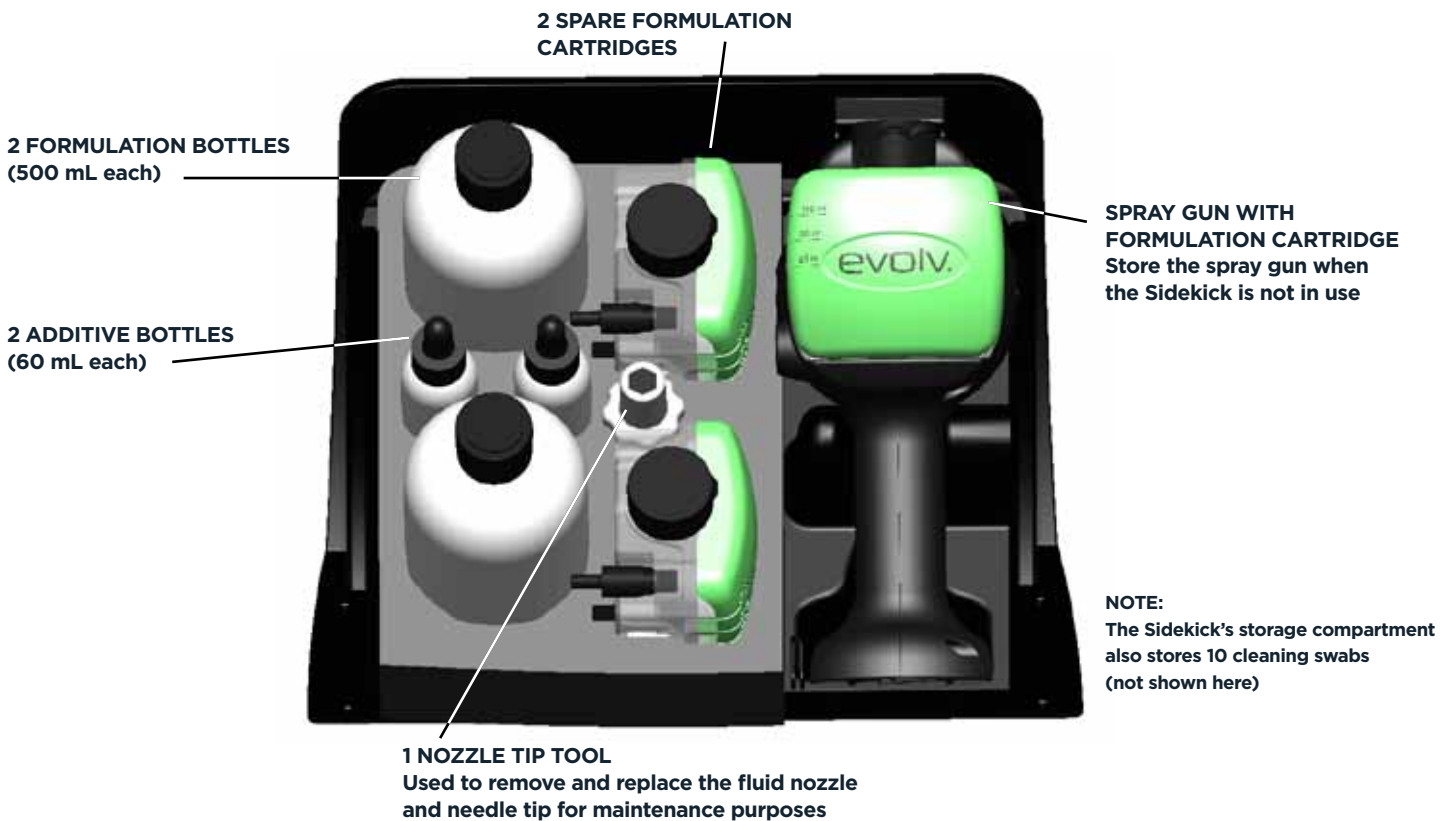
SETUP AND BREAKDOWN YOUR SIDEKICK FOR COMPLETE MOBILITY AND EQUIPMENT PROTECTION.

WHEN STORING YOUR EQUIPMENT PLEASE FOLLOW THESE GUIDELINES

1. Empty and clean your formulation cartridge(s) and place them in the storage compartment. Always make sure to purge the spray gun with a little water and operate the spray gun until the gun and the tank are completely emptied.
2. Always unplug your unit upon completion of your spray tanning sessions. After it is unplugged from the wall, pull the cord slightly until it retracts back into the unit.
3. Wrap your flex hose around the hose wrap plate. Lock the hose connector into the hose end lock.
4. Place your spray gun with the formulation cartridge in the storage compartment.
5. Store your EVOLV. Sidekick in a dry area.
6. Store all formulations in a cool place for extended periods.
7. Never store spray solution in the formulation cartridge or spray gun. Always rinse the cartridge(s) and spray a small amount of clean water through the spray gun before storage.

SIDEKICK STORAGE COMPARTMENT

The Sidekick's storage compartment can store the following items:

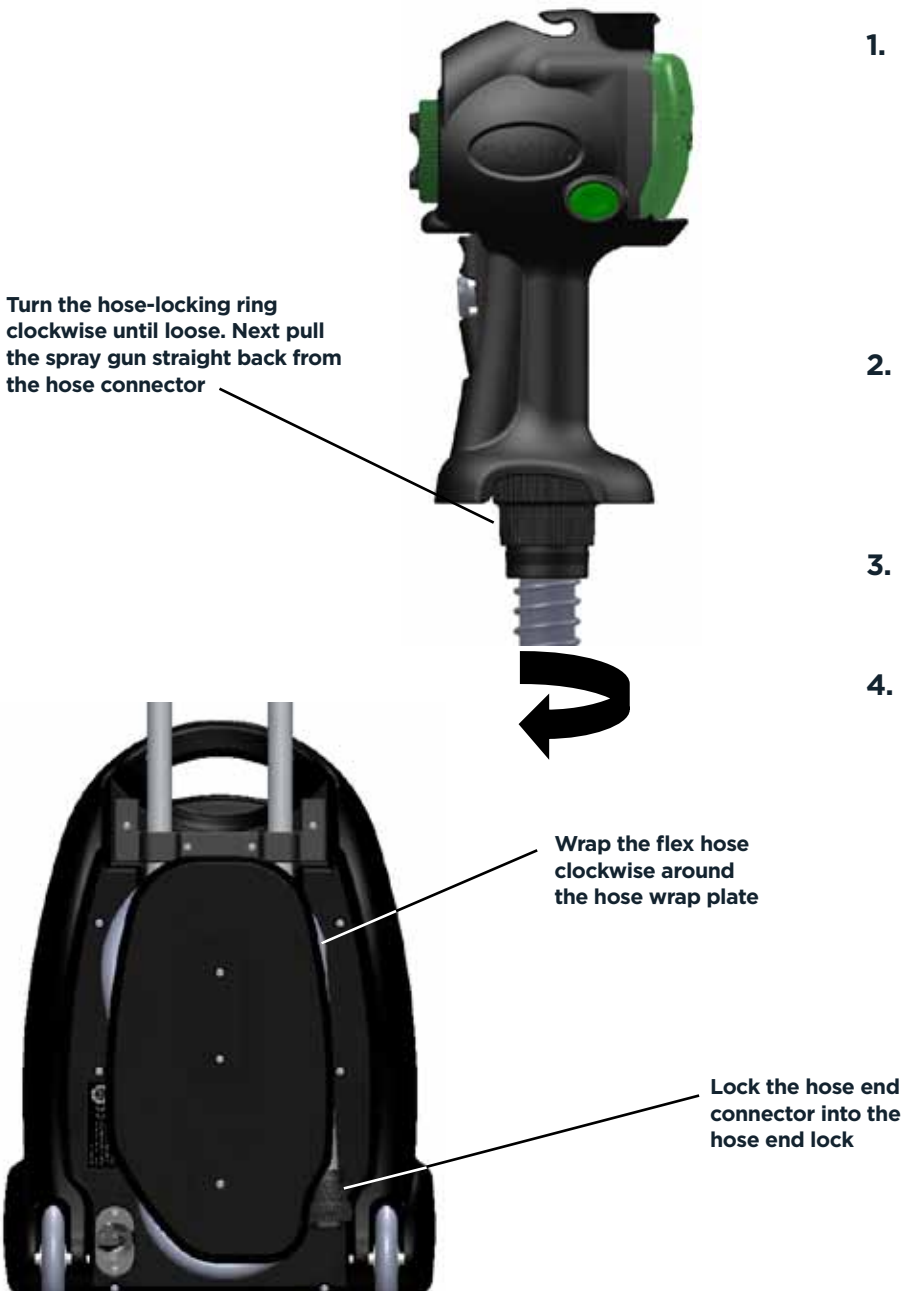


SIDEKICK STORAGE

SETUP AND BREAKDOWN YOUR SIDEKICK FOR COMPLETE MOBILITY AND EQUIPMENT PROTECTION.

HOSE STORAGE

The Sidekick is equipped with a hose wrap plate for convenient hose storage.



1. Before wrapping the hose for storage, make sure to detach the spray gun from the flex hose. Turn the hose-locking ring clockwise until loose. Pull the hose connector and the spray gun connector apart carefully.
2. Store the spray gun in the storage compartment after cleaning the cartridge and purging water through the spray gun.
3. Wrap the flex hose clockwise around the hose wrap plate
4. Snap the hose connector into the hose end lock.

SIDEKICK

MAINTENANCE

“ YOU’VE PURCHASED THE BEST EQUIPMENT
ON THE MARKET, NOW MAKE SURE TO PROTECT
YOUR INVESTMENT. ”

SIDEKICK MAINTENANCE

YOU'VE PURCHASED THE BEST EQUIPMENT ON THE MARKET, NOW MAKE SURE TO PROTECT YOUR INVESTMENT.

DAILY MAINTENANCE

Daily maintenance encompasses basic cleaning procedures that should be performed either daily or after each spray tanning session.

CLEANING THE SIDEKICK

Thoroughly wipe down the entire unit with a damp cloth. Unplug the unit and run a damp cloth along the entire length of the power cord, not the connector. This will prevent your cord reel from sticking due to formulation build up.

RINSING OUT THE FORMULATION CARTRIDGE

Detach the formulation cartridge from the spray gun. Rinse out the formulation cartridge thoroughly in a sink with lukewarm water. Use the cleaning swabs to clean any fittings that appear to have formulation build up.

PURGING THE SPRAY GUN

Fill the cartridge with a small amount of warm water (less than 25 mL). Reattach the formulation cartridge to the spray gun. Spray the water through the spray gun until the cartridge is completely empty. This will purge your system of all residual materials while also preventing solution from building up and clogging the fluid nozzle.

MONTHLY MAINTENANCE

Monthly maintenance encompasses basic cleaning and preventative testing that should be performed once per month or every 60 - 75 tanning sessions.

REMOVING & CLEANING THE AIR FILTER

The filter housing and filter are located behind the storage compartment. You will need to remove the storage compartment in order to remove and clean the air filter.

See pg. 28 for step-by-step instructions

TESTING & RESETTING THE RCBO

At the same time each month that the filter requires cleaning, it is necessary to test your RCBO. Your unit is equipped with a Residual Current Breaker with Overload, RCBO. RCBO's are designed to disconnect the electrical circuit quickly in case of ground fault. The RCBO must be tested monthly to ensure its effectiveness.

See pg. 29 for step-by-step instructions

SIDEKICK MAINTENANCE

YOU'VE PURCHASED THE BEST EQUIPMENT ON THE MARKET, NOW MAKE SURE TO PROTECT YOUR INVESTMENT.

REMOVING & CLEANING THE AIR FILTER

Lift the door latch to release the storage compartment and pull the storage compartment towards you



Lift the storage compartment from underneath and pull it towards you. This will release the storage compartment from the base unit



Pull the air filter out of the air filter housing

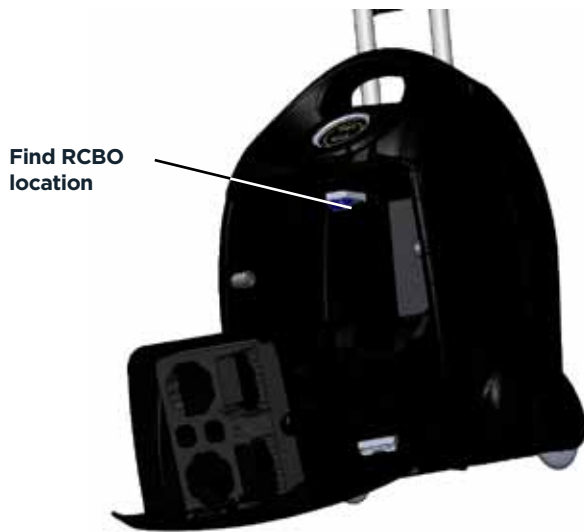
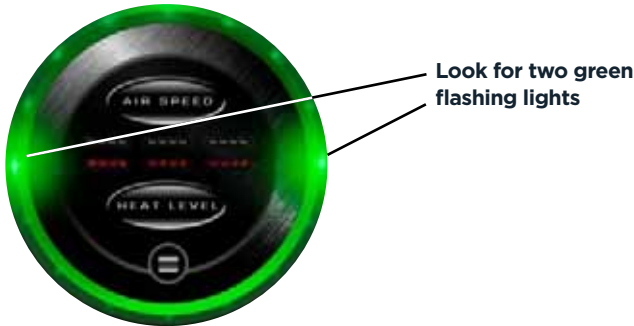


1. Lift the door latch to open the storage compartment.
2. Remove all items from your storage compartment before moving on to step 3.
3. Lift up on the bottom of the storage compartment and pull the entire compartment towards you. This will allow the door to open fully. The door will still be attached, at the bottom, by the hinge.
4. In the back of the unit, you will see the air filter. Simply pull the air filter out of the filter housing.
5. Rinse with warm water and allow it to dry.
6. Once the air filter is dry, place it back into the filter housing.
7. Before closing the storage compartment, please see the next section, Testing & Resetting the RCBO.

SIDEKICK MAINTENANCE

YOU'VE PURCHASED THE BEST EQUIPMENT ON THE MARKET, NOW MAKE SURE TO PROTECT YOUR INVESTMENT.

TESTING & RESETTING THE RCBO



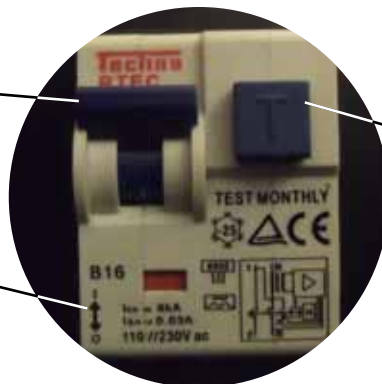
1. Plug your unit in, but there is no need to turn it on. Be sure that the two green flashing lights are illuminated on either side of the control panel. If the two green lights are not flashing, the RCBO may already be tripped.
2. The storage compartment should still be open from the previous section. If it is not, follow steps 1 - 3 of "Removing & Cleaning the Air Filter".
3. The RCBO is located on the ceiling inside of the Sidekick.
4. You will see a blue test button and a blue reset lever. The reset lever is on the left. The test button is on the right.

RESET LEVER

The reset lever should be in the forward position facing towards you inside the Sidekick

When the lever is in the "I" position the unit has power and the RCBO is working properly

When the lever is in the "O" position the RCBO has been tripped and needs to be reset

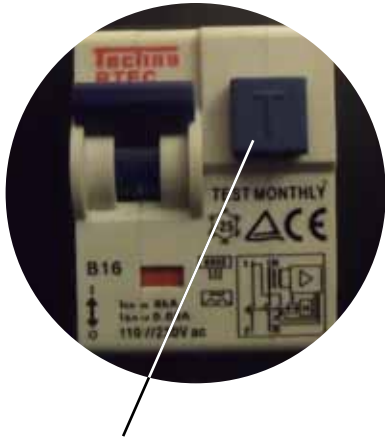


TEST BUTTON

This button is used monthly to test if the RCBO is working properly. When the test button is pushed the reset lever should flip to the off position (or facing away from you)

SIDEKICK MAINTENANCE

YOU'VE PURCHASED THE BEST EQUIPMENT ON THE MARKET, NOW MAKE SURE TO PROTECT YOUR INVESTMENT.



Push the test button. if the RCBO is working properly the reset lever should flip away from you



If the reset lever is facing away from you the RCBO has tripped. Please pull the lever back towards you

5. Push the blue test button to trip the breaker. The two flashing green lights on the control panel should no longer be flashing.
6. If the reset lever is now facing away from you then the RCBO is working properly. Please pull the reset lever back towards you. The two green lights should be flashing once again.

NOTE: If the RCBO does not trip after pressing the test button and the lever is still facing towards you, please contact EVOLV. Technical Support at (877) 668-8826. They will help diagnose your EVOLV. Sidekick.

7. Close up the storage compartment by simply lifting the compartment and pushing it back into its appropriate position inside of the Sidekick.

Close up the storage compartment by simply lifting the compartment and pushing it back into the closed position

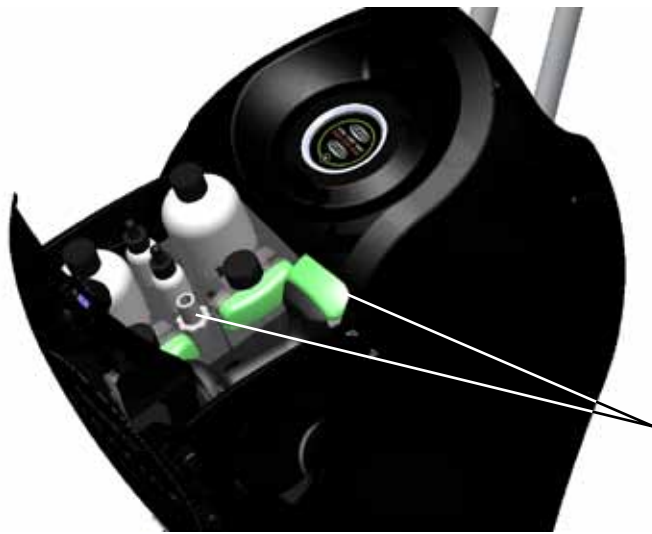


SIDEKICK MAINTENANCE

YOU'VE PURCHASED THE BEST EQUIPMENT ON THE MARKET, NOW MAKE SURE TO PROTECT YOUR INVESTMENT.

REMOVING & CLEANING THE FLUID NOZZLE

BE AWARE THAT WHILE PERFORMING THIS MAINTENANCE THE SPRAY GUN SHOULD NOT BE ATTACHED TO THE FLEX HOSE AND THE UNIT SHOULD BE OFF. BE ADVISED THAT THE FLUID NOZZLE MAY BE HOT AFTER USE, THEREFORE, DO NOT PERFORM THIS MAINTENANCE DIRECTLY AFTER A SPRAY TANNING SESSION.

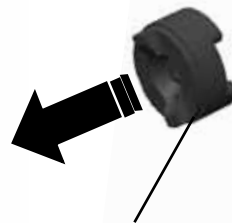


1. Remove the nozzle tip tool and spray gun from your storage compartment.
2. Loosen and remove the green air cap retainer by turning it counter-clockwise.
3. Remove the air cap by carefully pulling it out of the spray gun.

Remove the nozzle tip tool and the spray gun from the storage compartment



Turn the air cap retainer counter clockwise to remove



Pull air cap gently towards you to release

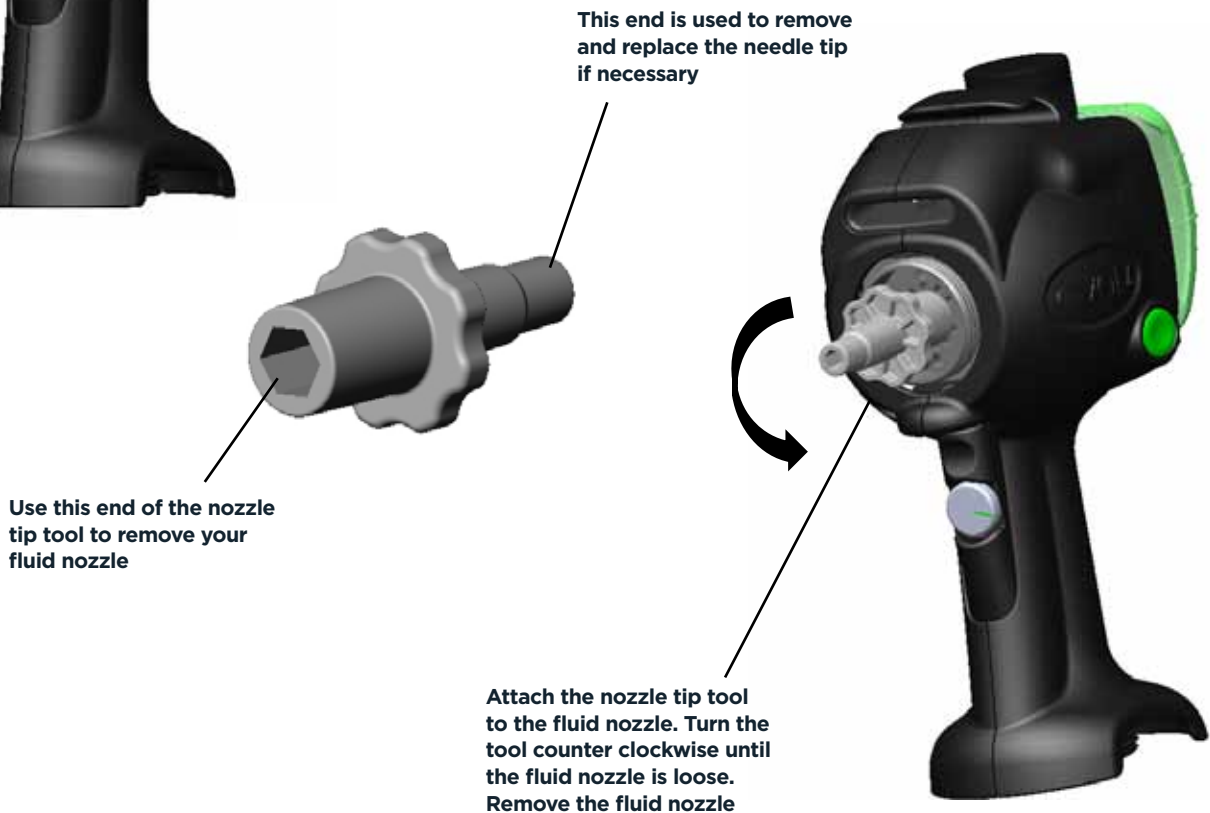


SIDEKICK MAINTENANCE

YOU'VE PURCHASED THE BEST EQUIPMENT ON THE MARKET, NOW MAKE SURE TO PROTECT YOUR INVESTMENT.



4. You will see a metallic fluid nozzle. Line up the larger end of the nozzle tip tool with the hex nut, on the fluid nozzle, inside of the spray gun.
5. Turn the nozzle tip tool counter-clockwise until the fluid nozzle is completely removed from the spray gun.
6. Rinse the fluid nozzle with warm water and allow it to dry before reattaching.



SIDEKICK MAINTENANCE

YOU'VE PURCHASED THE BEST EQUIPMENT ON THE MARKET, NOW MAKE SURE TO PROTECT YOUR INVESTMENT.



7. When the fluid nozzle is dry, line it back up with the spray gun. Turn it clockwise to tighten.
8. Use the nozzle tip tool to tighten the fluid nozzle. Simply line up the larger end of the nozzle tip tool with the fluid nozzle and turn it clockwise until it is secure. Please do not over tighten the fluid nozzle.
9. Reattach the air cap by lining up the bottom notches with the notches on the spray gun.
10. Secure the air cap with the green air cap retainer. Tighten the air cap retainer by turning it clockwise along the threads of the spray gun. Please do not over tighten the air cap retainer; hand-tighten only.



SIDEKICK TROUBLE- SHOOTING

“SIDEKICK RUNS ITS OWN DIAGNOSTICS TO DETECT PROBLEMS FASTER AND TAKES THE GUESSWORK OUT OF FIXING THE ISSUE.”

SIDEKICK TROUBLESHOOTING

SIDEKICK RUNS ITS OWN DIAGNOSTICS TO DETECT PROBLEMS FASTER AND TAKES THE GUESSWORK OUT OF FIXING THE ISSUE.

DIAGNOSTIC LIGHTS



2 GREEN FLASHING LIGHTS

Green diagnostic lights indicate that your Sidekick is working properly and ready to be turned on. Simply press the power button (=) if you are ready to begin a tanning session.



2 RED FLASHING LIGHTS

Red diagnostic lights indicate that your spray gun may be disconnected from the flex hose and the heating element cannot turn on. If your spray gun is connected, there may be some faulty or damaged wiring.

Please contact EVOLV. Technical Support at (877) 668-8826.



2 WHITE FLASHING LIGHTS

White diagnostic lights indicate a potential air turbine failure.

Please contact EVOLV. Technical Support at (877) 668-8826.

HOUR METER

The Sidekick is equipped with an hour meter to track the overall hours of operation. This function is easily accessible from your control center.

1. Plug in the EVOLV. Sidekick. There should be two green flashing lights. Please do not push the power button.
2. Hold down the air speed button for three seconds and then release.
3. There will be a series of lights illuminated depending upon the total hours of operation of your unit. This is very similar to the way an odometer tracks the distance you have driven in your car.
4. Each light illuminated is equal to 100 hours of operation.

SIDEKICK TROUBLESHOOTING

SIDEKICK RUNS ITS OWN DIAGNOSTICS TO DETECT PROBLEMS FASTER AND TAKES THE GUESSWORK OUT OF FIXING THE ISSUE.

HOUR METER CONT.

5. There are 16 green lights, which can illuminate around the control center. Once the 16th light is illuminated (1600 hours of use), it will begin to flash. This light represents 1600 hours. See the below example:

In the bottom right controller image, the 16th light is flashing while the 1st light, 12 o'clock, is illuminated solid green. In this scenario, the Sidekick has accumulated between 1600 and 1699 hours. The green flashing light represents 1600 hours and the solid green light represents 0-99 hours of use.



ONE GREEN LIGHT ILLUMINATED:
0-99 hours of use



TWO GREEN LIGHTS ILLUMINATED:
100-199 hours of use



THREE GREEN LIGHTS ILLUMINATED:
200-299 hours of use



REFER TO TEXT ABOVE
This shows 1600-1699
hours of use

SIDEKICK TROUBLESHOOTING

CHART

Problem

Possible Solution

Spray is spitting, weak, or ceases to spray

- Is the formulation cartridge and cap securely connected and closed?
- Is the intensity knob dial within the appropriate range? (See "Formulation Intensity Knob Settings" on pg. 18)
- Does the fluid nozzle require cleaning? (See "Removing & Cleaning the Fluid Nozzle" on pg. 31)
- Is there formulation in the cartridge? How old is the formulation? Has the formulation cartridge been rinsed out and purged after each use?
- Are you using approved EVOLV. Sunless formulation? Other solutions can cause clogging of your spray gun.
- Is your air turbine working? Is there a leak in your flex hose?
- Is your air speed setting on low and the formulation intensity knob on too high?

There is no power and I have no flashing lights on my control center

- Is the unit plugged into a properly grounded electrical outlet?
- Does the RCBO need to be reset? If the RCBO trips, then the reset lever will need to be pulled back towards you. (See "Testing & Resetting the RCBO" on pg. 29)

There is no power but there are two flashing green lights on my control center

- Press the power button (=) on the control panel to turn on the unit.

Formulation is spraying out too heavy

- Is the intensity knob dial within the appropriate range? (See "Formulation Intensity Knob Settings" on pg. 18)
- Are you using approved EVOLV. Sunless formulation?

There are two red flashing lights and my unit has shut down.

- Is the spray gun attached to the flex hose and tight? (See "Diagnostic Lights" on pg. 35)

There are two white flashing lights on my control center

- The air turbine may be malfunctioning, please contact EVOLV. Technical Support at (877) 668-8826

My spray gun gets very warm during a tanning session

- Please contact EVOLV. Technical Support at (877) 668-8826.

Solution is leaking out of the front of my gun

- The formulation cartridge may need to be replaced. Please contact EVOLV. Technical Support at (877) 668-8826.
- Is the air cap and retaining ring tightened properly?
- The fluid nozzle/needle tip may need to be replaced. Please contact EVOLV. Technical Support at (877) 668-8826.

Spray is coming out of my spray gun but I'm not pulling the trigger

- The fluid nozzle/needle tip may need to be replaced. Please contact EVOLV. Technical Support at (877) 668-8826.

REPLACEMENT PARTS

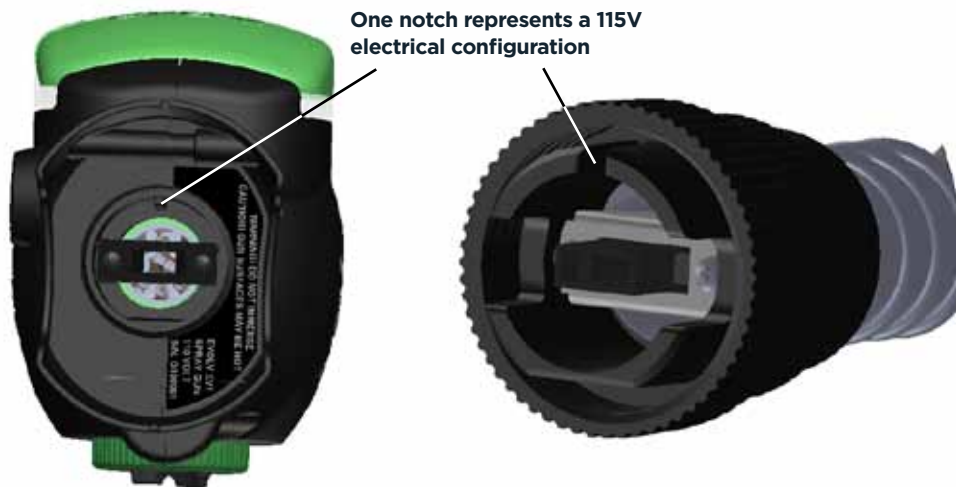
Replacement parts and service scheduling can be arranged through EVOLV. Technical Support at (877) 668-8826.

Please provide your spray gun and base unit serial numbers when calling for parts or service.

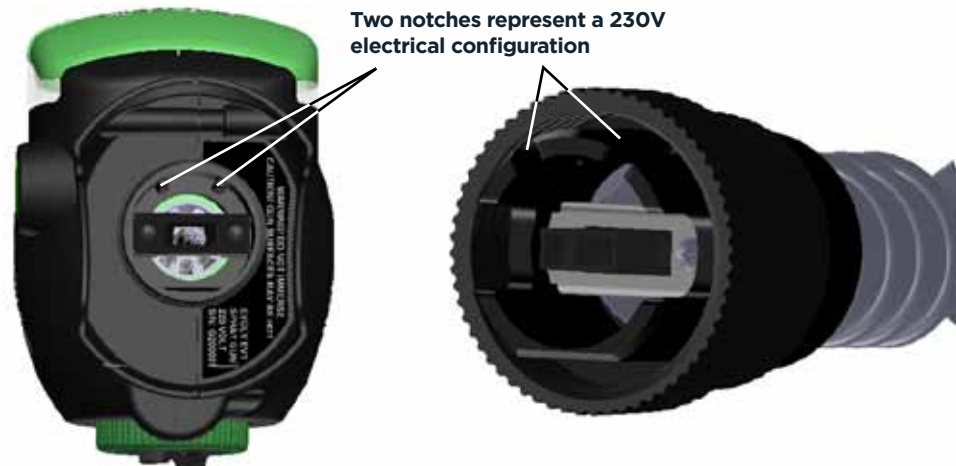
ELECTRICAL CONFIGURATIONS

U.S. AND INTERNATIONAL VOLTAGE SETTINGS PLEASE REFER TO THE DIAGRAMS BELOW.

115V ELECTRICAL CONFIGURATION



230V ELECTRICAL CONFIGURATION



NOTE: It is not recommended to disconnect the spray gun from the flex hose while the unit is running. If the spray gun is disconnected during operation, the unit will turn off and two red lights will blink, this indicates a break in the heating circuit. If this occurs, please unplug your unit from the wall, reconnect the spray gun to the flex hose, plug the unit back in and push the power button.

SERIAL NUMBER LOCATION

REGISTER YOUR EQUIPMENT TO RECEIVE THE MOST OUT OF YOUR PURCHASE AND TO INITIATE YOUR 2 YEAR WARRANTY!

BASE SERIAL NUMBER PLATE

SIDEKICK BASE SERIAL NUMBER PLATE
Register your base plate serial number at: www.evolvsunless.com/register



SPRAY GUN SERIAL NUMBER PLATE

SIDEKICK SPRAY GUN SERIAL NUMBER PLATE
Register your spray gun plate serial number at: www.evolvsunless.com/register





SUNLESS, INC., 8909 SOUTH FREEWAY DR.
MACEDONIA, OH 44056

877.668.8826

www.evolvsunless.com