

Curve Component Descriptions & Specifications

(1) EVOLV Curve Roof



(2) EVOLV Curve Sidewall



(2) LED Lights



(1) EVOLV Curve Left Light



(1) EVOLV Curve Right Light
-This contains an outlet to plug in the EVOLV Sidekick

(1) EVOLV Curve Extraction Fan



(1) EVOLV Curve Base

Curve Component Descriptions & Specifications



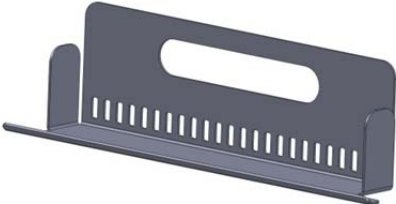
(56) 10-32 Screw



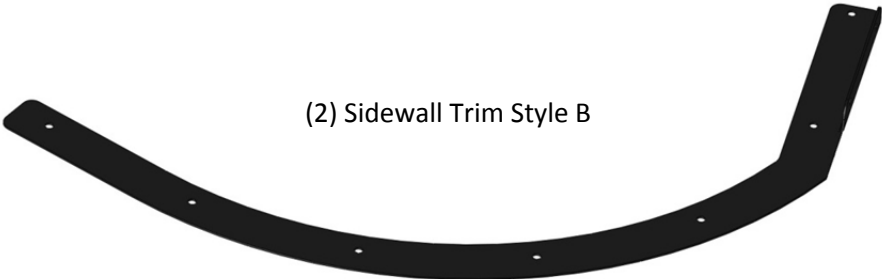
(6) #10 Washer



(2) Sidewall Trim Style A

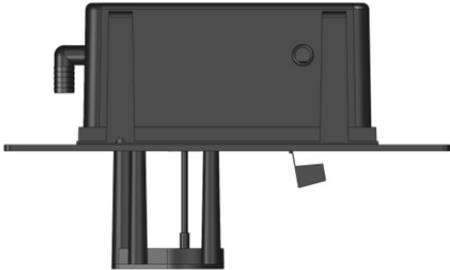


(1) Sump Pump Filter



(2) Sidewall Trim Style B

(2) Sidewall Trim Style C



(1) Sump Pump



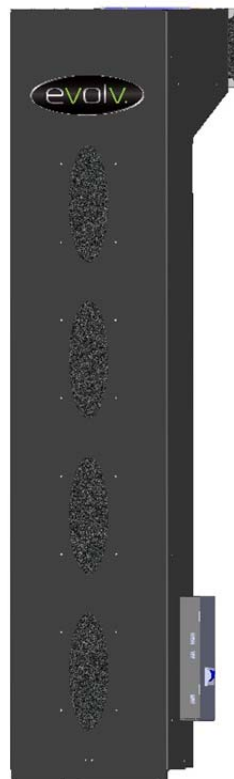
(1) Wash Down Hose Nozzle

Setup Instructions

1. Carefully remove all components from the packaging. Inspect parts and immediately report any shipping damage.
2. Begin by setting the base in the location in which the Curve will be permanent kept. Lay down supplied base cardboard cutout to protect the base during assembly.



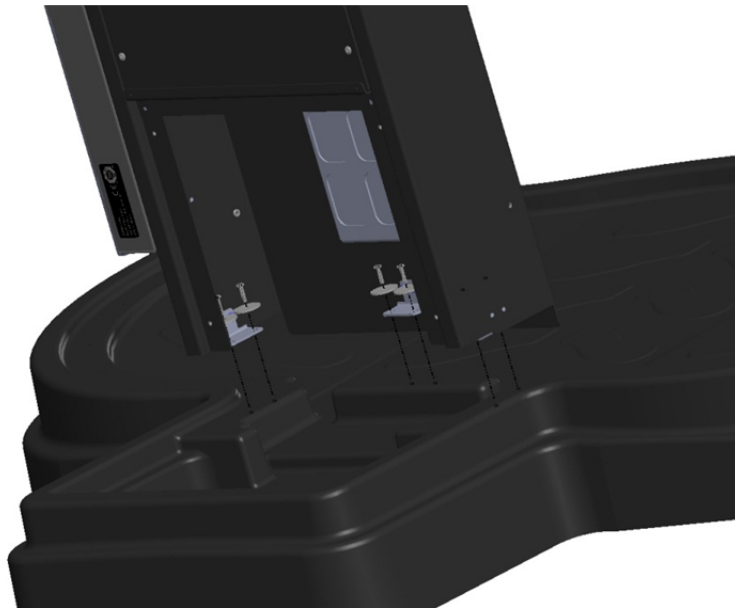
3. Locate the fan column.

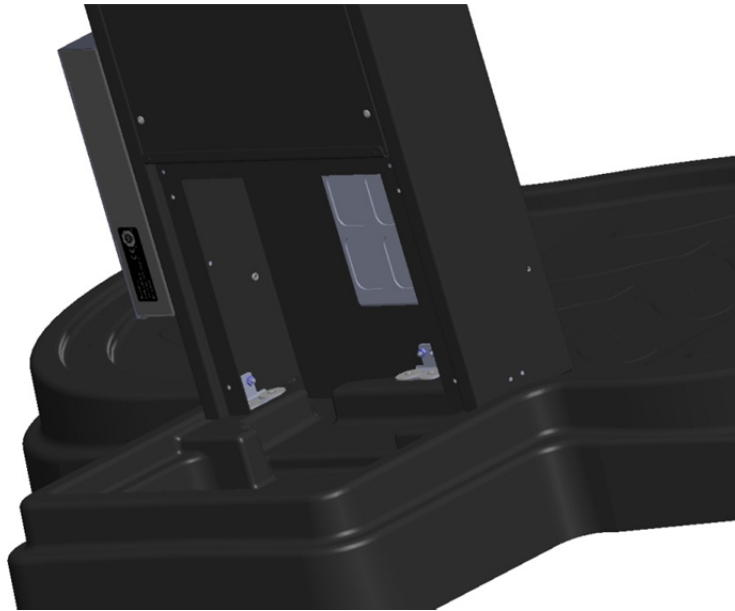


4. Begin by removing the bottom back plate from the fan column. 4 screws will need to be removed in order to accomplish this step.

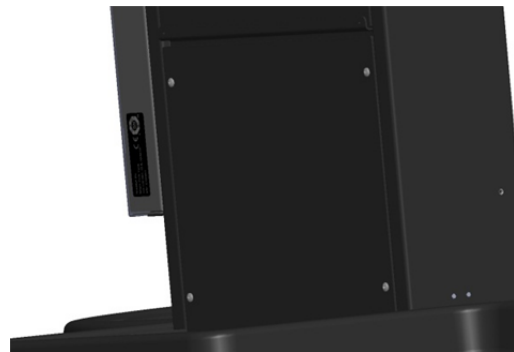
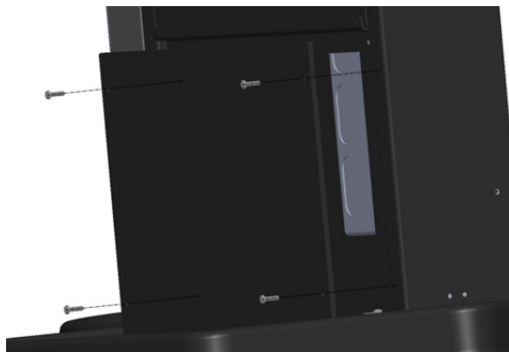


5. Place the fan column onto the base as shown below. Hold the hose-hanging bracket for support. Secure the fan column with 6 screws and 6 washers in the places shown in the below picture.

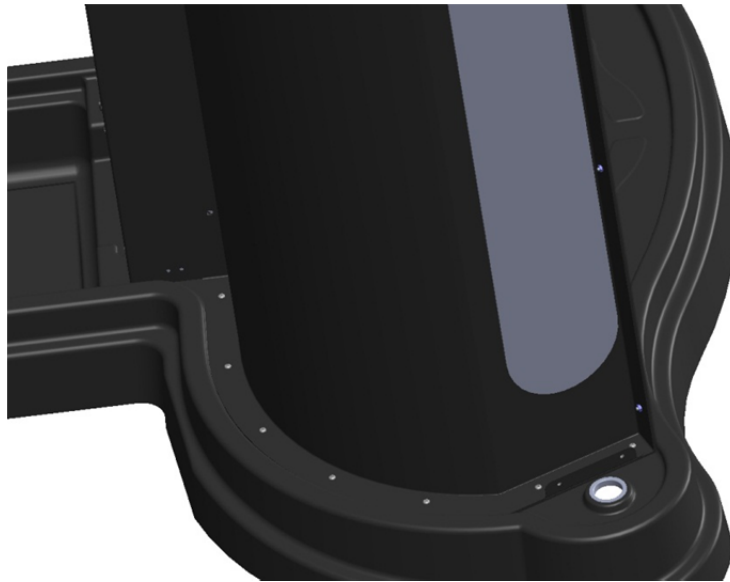
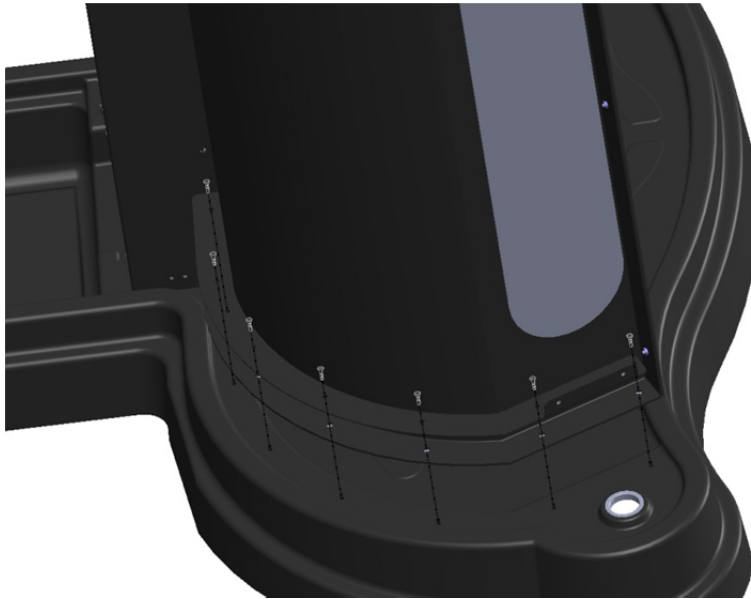




6. Reattach the bottom back plate on the fan column with the same four screws that were removed in step 4.

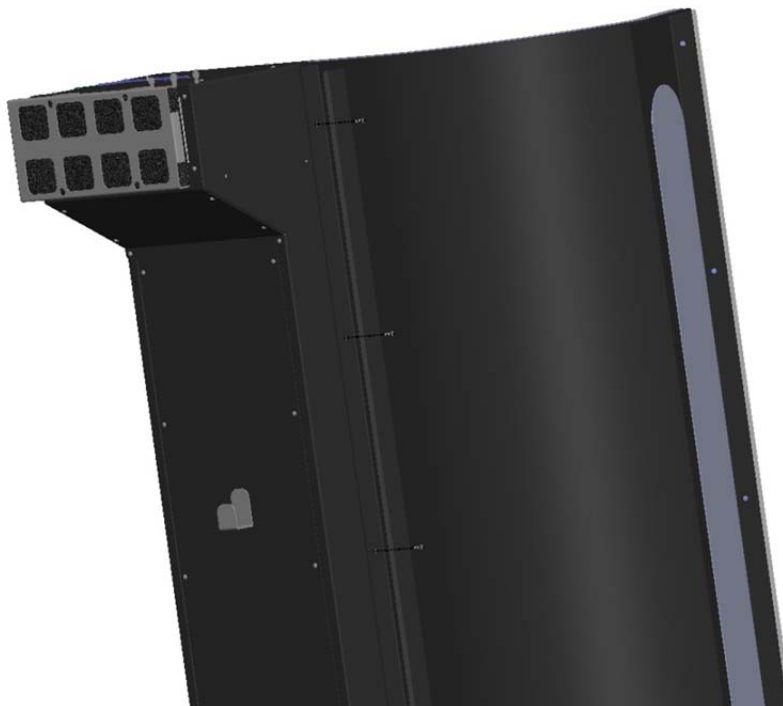


7. Place one sidewall to the left of the fan column as shown below. Use 1 sidewall trim, style B, and 7 screws to secure the sidewall to the base.

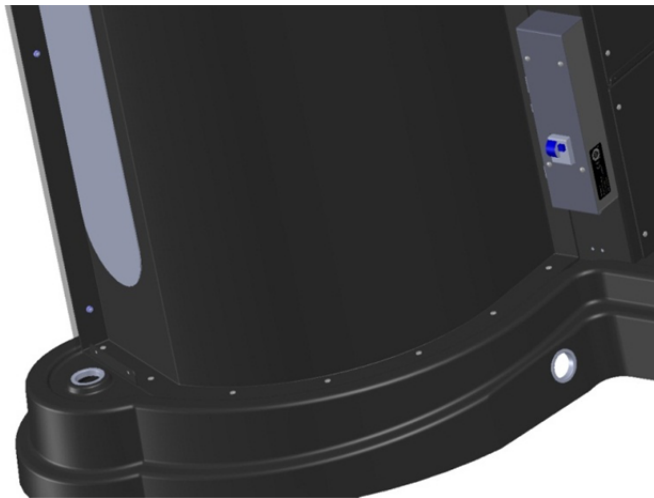
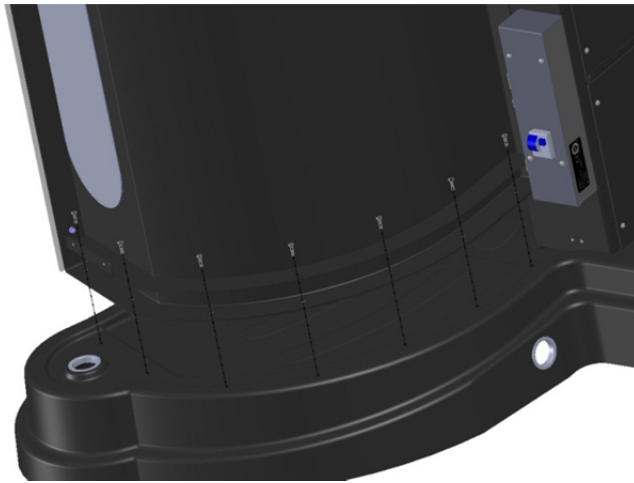




8. Use 1 sidewall trim, style C, and 5 screws to secure the sidewall to the fan column.



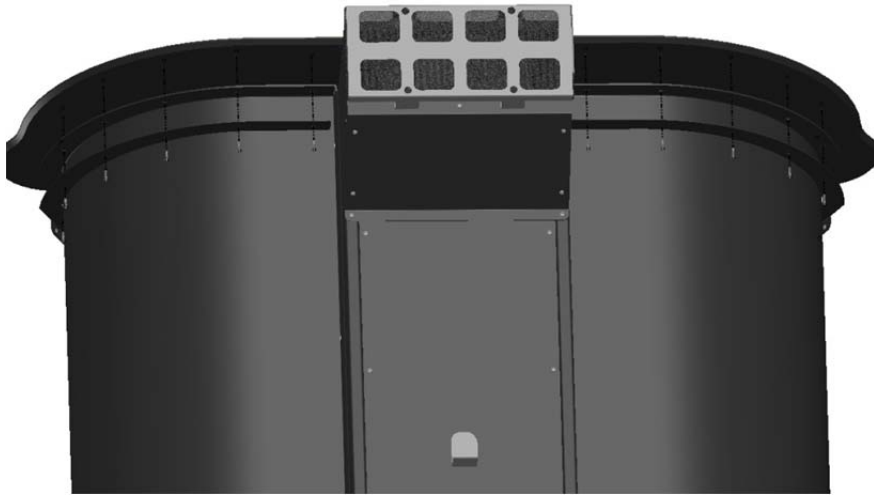
9. Place the other sidewall to the right of the fan column. Use 1 sidewall trim, style A, and 7 screws to secure the sidewall to the base.



10. Use 1 sidewall trim, style C, and 5 screws to secure the sidewall to the fan column.



11. Locate the roof, lay it on top of the sidewalls, and fan column. Obtain 14 screws, 1 sidewall trim, style A, and 1 sidewall trim, style B. Line up the holes on the roof panel with those on the sidewalls. Stand at the back of the Curve and begin securing sidewall trim, style B on the left hand side of the fan column. Begin attaching 7 screws through the sidewall trim, style B and the roof. **DO NOT TIGHTEN YET.** Perform the same step for the right hand side, but with sidewall trim, style A. **DO NOT TIGHTEN YET.** Once all screws are in their respective places, tighten all 14 screws along the roof.

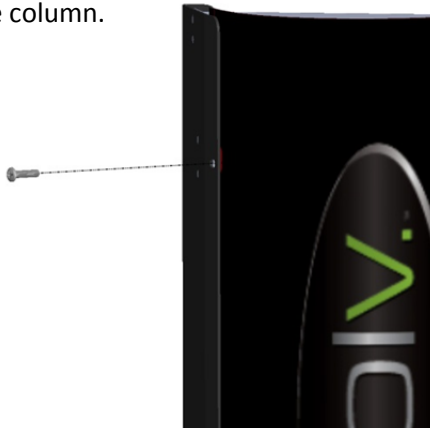




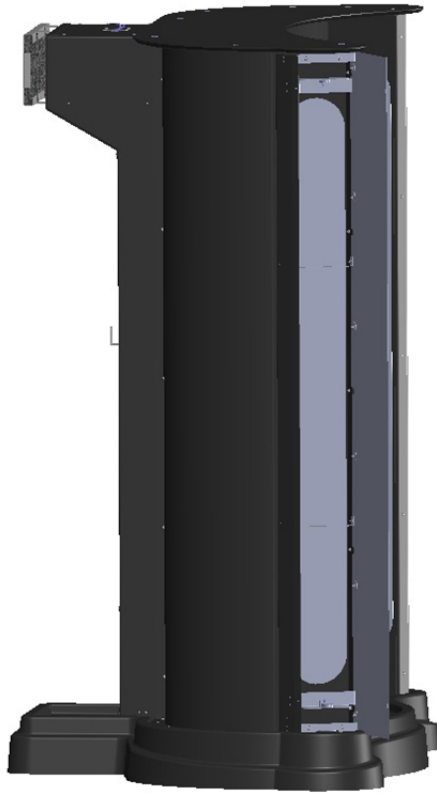
12. Locate the left light column. This light column does not contain the power outlet for the Sidekick.



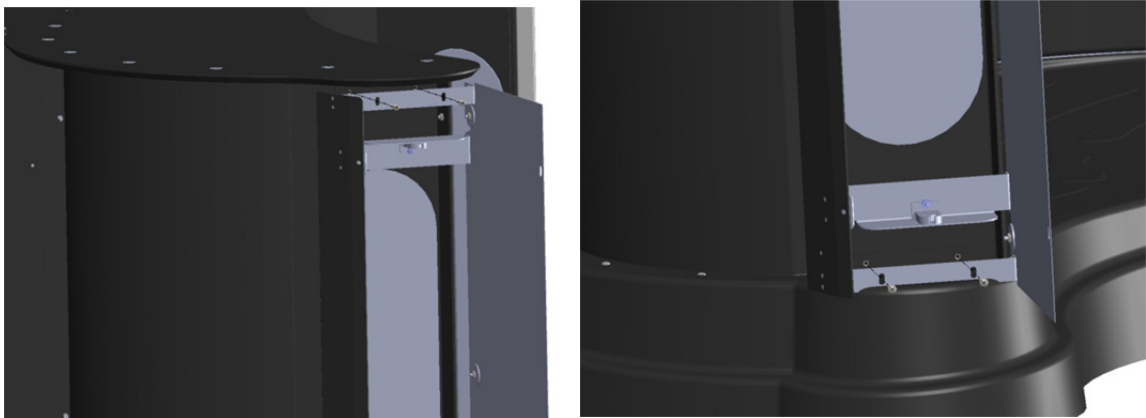
13. Remove 2 screws along the light column to open it. Once these 2 screws have been removed, pull the left side of the EVOLV panel out slowly. The panel will still be attached on the right hand side of the column.



14. Once the panel on the light column is open, place it into its position on the base, as shown below.

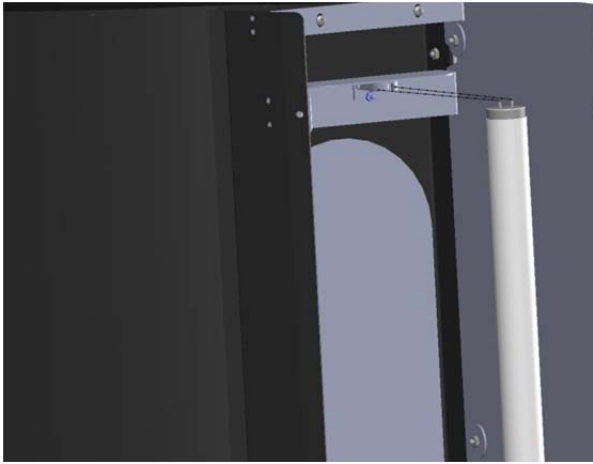


15. Secure the light column with 4 screws; 2 at each mounting bracket. The mounting brackets are located at the top and bottom of the light column.



16. Connect the two white plugs located at the bottom of the light column.

17. Attach the LED light tube into the LED sockets inside of the light column. Use the below pictures for reference. Be sure that the LED Side of the tube is facing towards the inside of the Curve.



18. Close up the light column by bending the light column panel back into its place. Begin at the bottom. Ensure that the panel is aligned between the bottom support bracket and the left side of the light column. Continue bending and aligning the light column panel along the interior. When you reach the upper support bracket, ensure that the panel is tucked between the bracket and the left side of the light column. Once the panel is closed, secure it with the same 2 screws removed in step 15.



19. Locate the right light column. This light column contains the power outlet for the Sidekick.



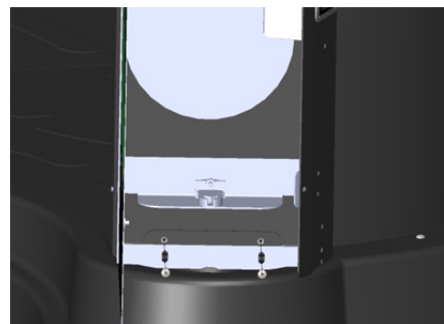
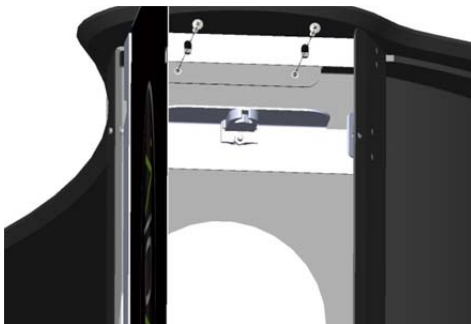
20. Remove 2 screws along the light column to open it.



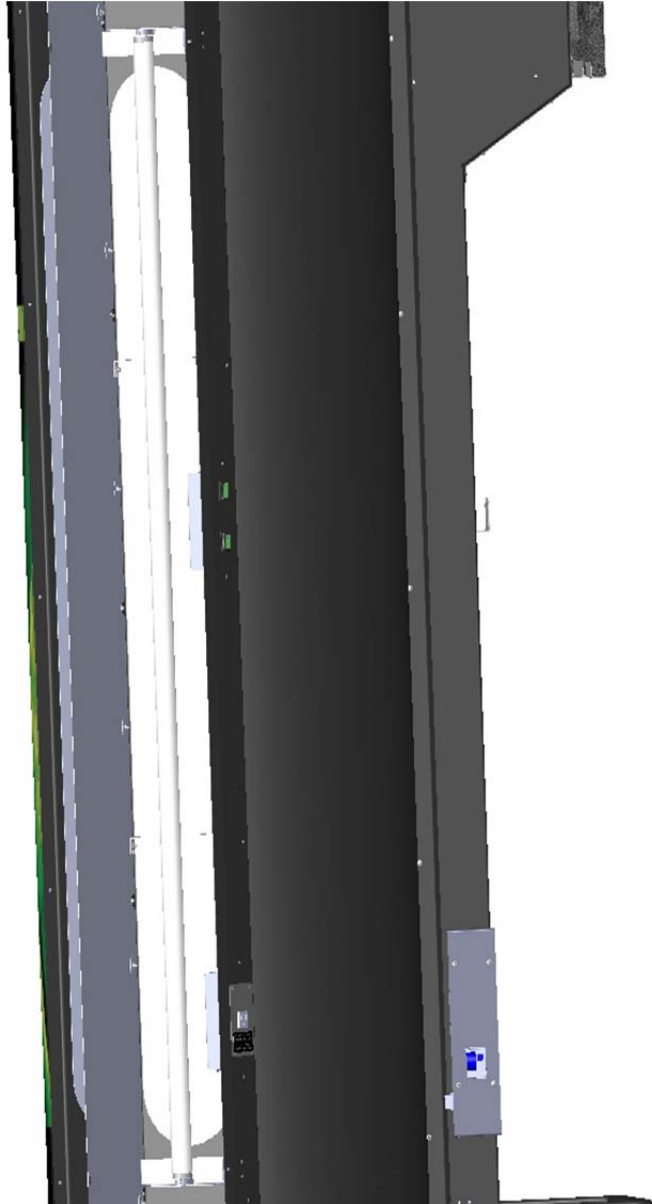
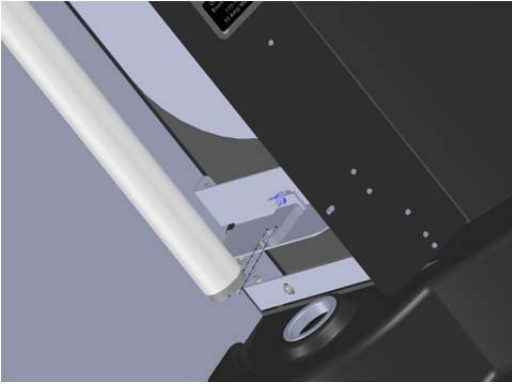
21. Once the panel on the light column is open, place it into its position on the base, as shown below.



22. Secure the light column with 4 screws; 2 at each mounting bracket. The mounting brackets are located at the top and bottom of the light column.



23. Connect the two sets of white plugs located at the bottom of the light column, also take the black power plug and connect it to the socket, located at the bottom power box.
24. Attach the LED light tube into the LED sockets inside of the light column. Use the below pictures for reference.



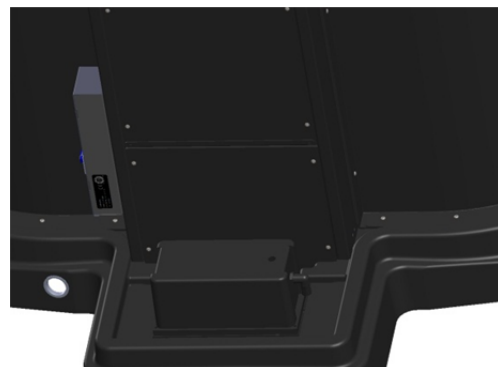
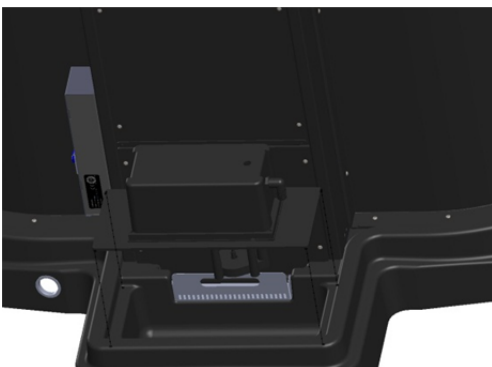
25. Close up the light column by bending the light column panel back into its place. Begin at the bottom. Ensure that the panel is aligned between the bottom support bracket and the left side of the light column. Continue bending and aligning the light column panel along the interior. When you reach the upper support bracket, ensure that the panel is tucked between the bracket and the left side of the light column. Once the panel is closed, secure it with the same 2 screws removed in step 22.



26. Walk behind the unit. Attach the white plug from the base to the control box located on the fan column.
27. Place the sump pump filter in its place along the backside of the base unit.



28. Lay the sump pump down into the basin located on the back of the base, as shown below. Connect the white plug to the 3-position receptacle located on the control box.



29. Attach the female end of the supplied wash down hose to an inlet water supply. Ensure that the water is turned off. Attach the spray gun to the male end of the wash down hose and hang it on the hose-hanging bracket.
30. Place the drain hose, attached to the sump pump, into a nearby waste drain.
31. The EVOLV Curve is now fully assembled. Some initial testing is required in order to verify that everything has been assembled properly.
32. Flip the top on/off switch on the right light column. The exhaust column should turn on.
33. Flip the bottom switch on the right light column. The LED lights should illuminate in both light columns.
34. Remove the wash down hose from the hose-hanging bracket. Spray the EVOLV Curve until you can hear the sump pump turn on. Water should be flowing out of the drain hose. If the sump pump is not working, cease spraying the Curve with the wash down hose and contact EVOLV Technical Support @ (760) 891-0257 ext. 201
35. Test the RCBO. It is located in the control box on the side of the exhaust column. Press the blue test button, as shown below. The reset lever should flip down. Flip the 2 switches on the right light column to the on position. Nothing should turn on. Flip the reset lever back to the up position. The lights and extraction fan should work once again. If everything worked properly then the RCBO is effective. If anything did not work properly, please contact EVOLV Technical Support @ (760) 891-0257 ext 201.